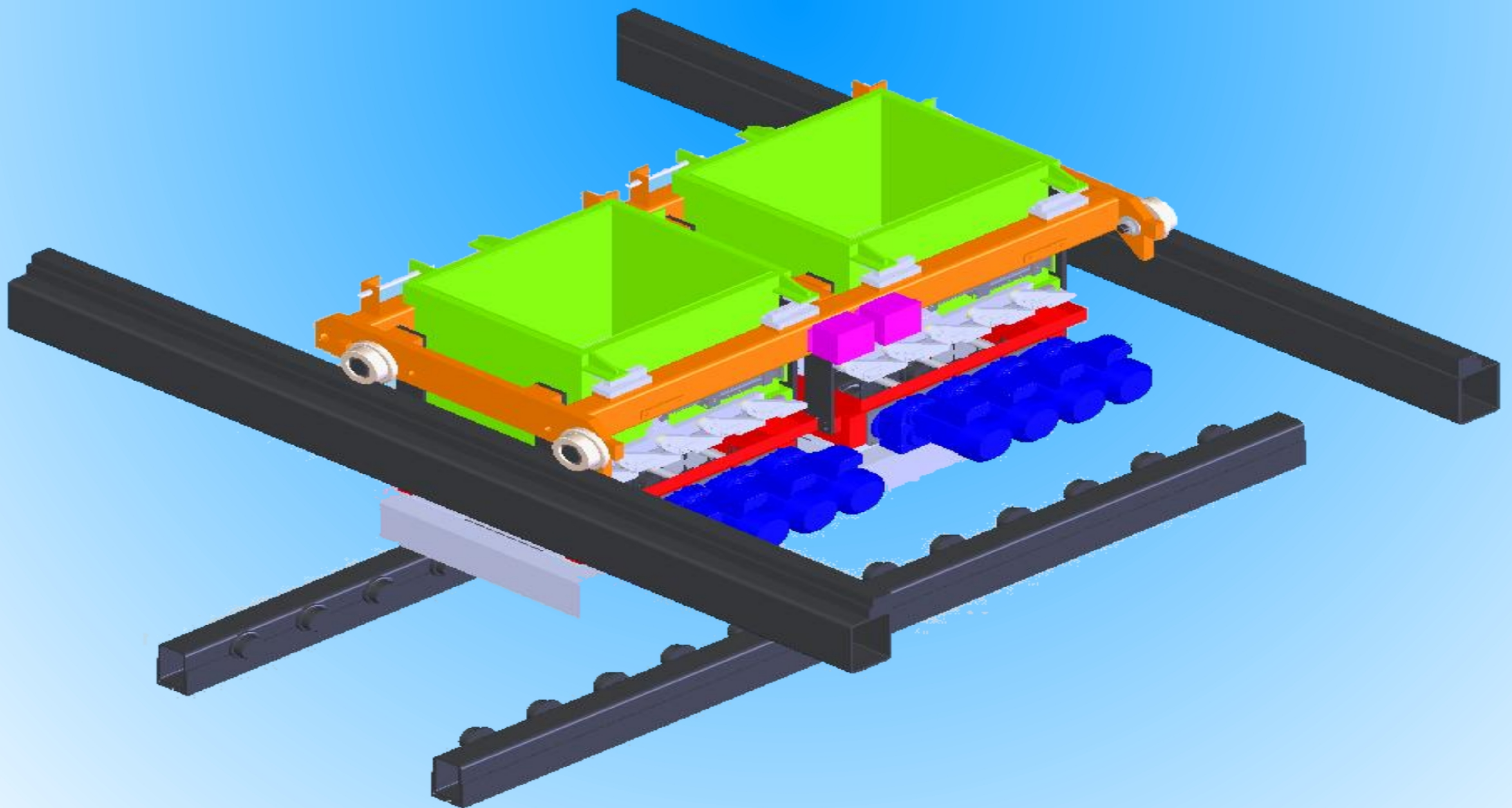
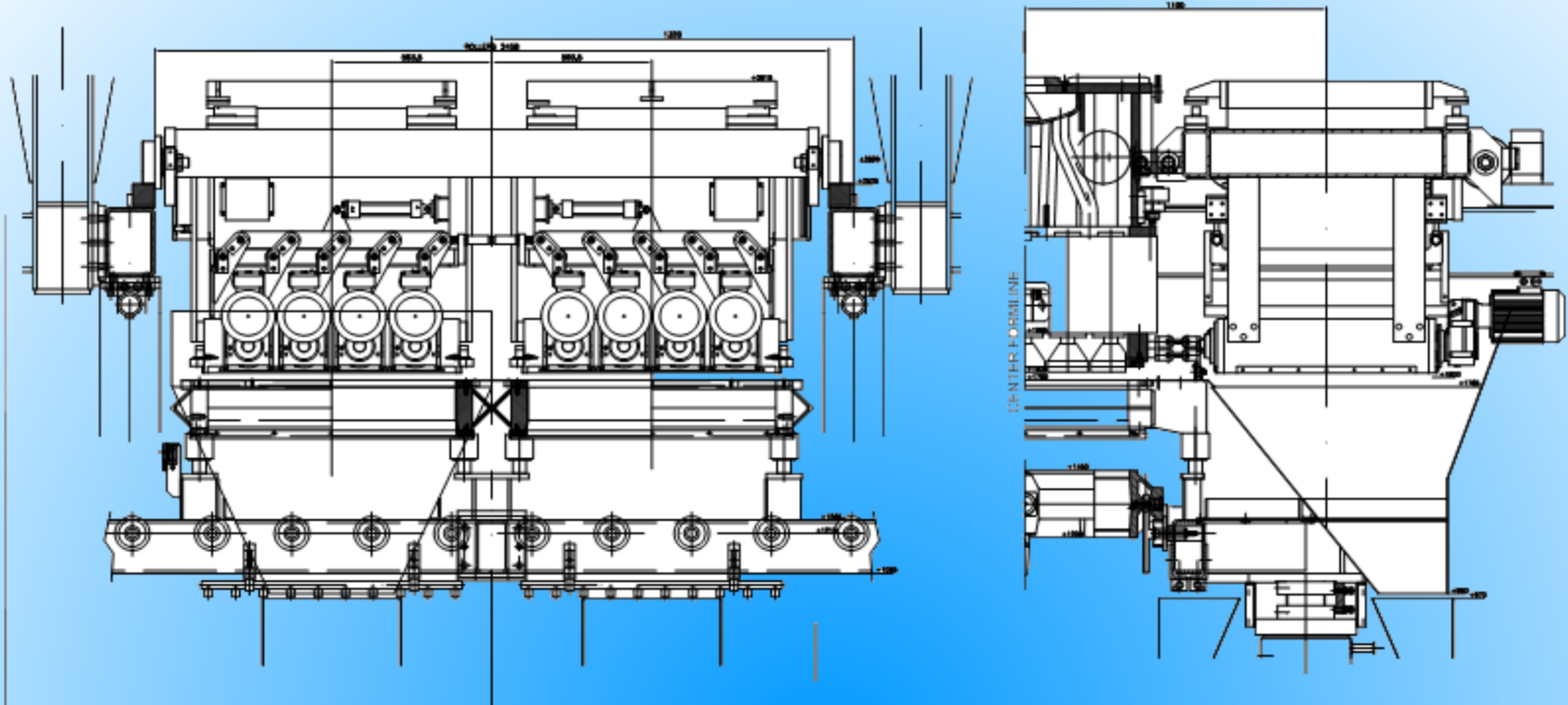




EMPIRE SYSTEMS INC.

INNOVATION FOR INDUSTRY



In-line Fill Aerators

The ability to accurately fill and distribute a uniform density of the aerated lump free sand onto the pattern in all molding processes is essential to superior mold quality.